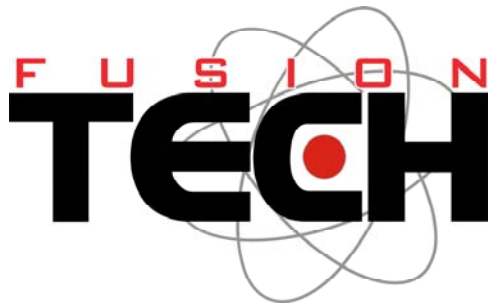


218th 20th Ave
Roseville, IL 61473

Visit us on the web
www.ftiinc.org



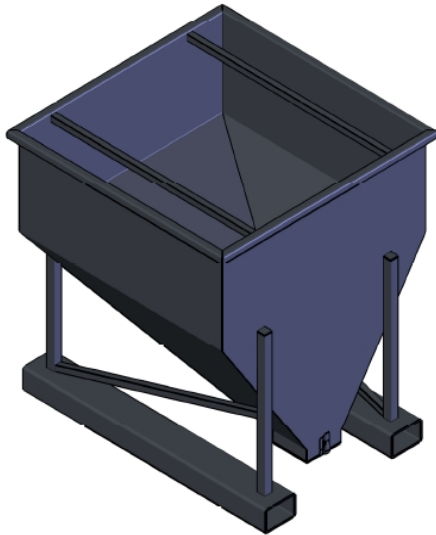
Phone 309-774-4275
Fax 309-774-4161

Dan@ftiinc.org
Josh@ftiinc.org

Bulk Feed Hopper for the Waterjet Industry

Designed to increase your operations **EFFICIENCY & PROFITABILITY**

Pricing and Options



2400 LB. - 40" x 40" Opening x 48" Tall

4300 LB. - 40" x 40" Opening x 66" Tall

2400 Pound Hopper

(can be used in buildings w/10 ft ceilings)

*Carbon steel construction and painted finish

CS2400 ...\$832.00

*Stainless steel construction with bead blasted finish
of exterior and welds (Carbon/Painted Runners)

SS2400 ...\$1,420.00

4300 Pound Hopper

*Carbon steel construction and painted finish

CS4300 ...\$884.00

*Stainless steel construction with bead blasted finish
of exterior and welds (Carbon/Painted Runners)

SS4300 ...\$1,720.00

Optional UHMW Lid (40" x 40") with handle
...\$118.00



- Reduces Downtime
- Reduces Work Related Injuries
- EZ Forklift Mobility
- Cost Savings



Designed and manufactured by those who understand the demands and requirements of the waterjet industry.

Other solutions for the waterjet industry include custom made Carbon hopper screens with SS Mesh - starting at ...\$200.00

